

基本資訊
Basic Information

SUNWAY S.S. Tile Mount
不鏽鋼薄磚扣件(SW-TM)

Demonstration Video:



Material : Stainless Steel 304
Thickness : 0.6 mm
(**Tailor-made is open to customers)

Sunway Stainless Steel Tile Mount is suitable for tiles or thin stone panels installation. Simply making good use of mechanical principle, bearing capacity is much higher than the traditional way which only bond with tile adhesive.

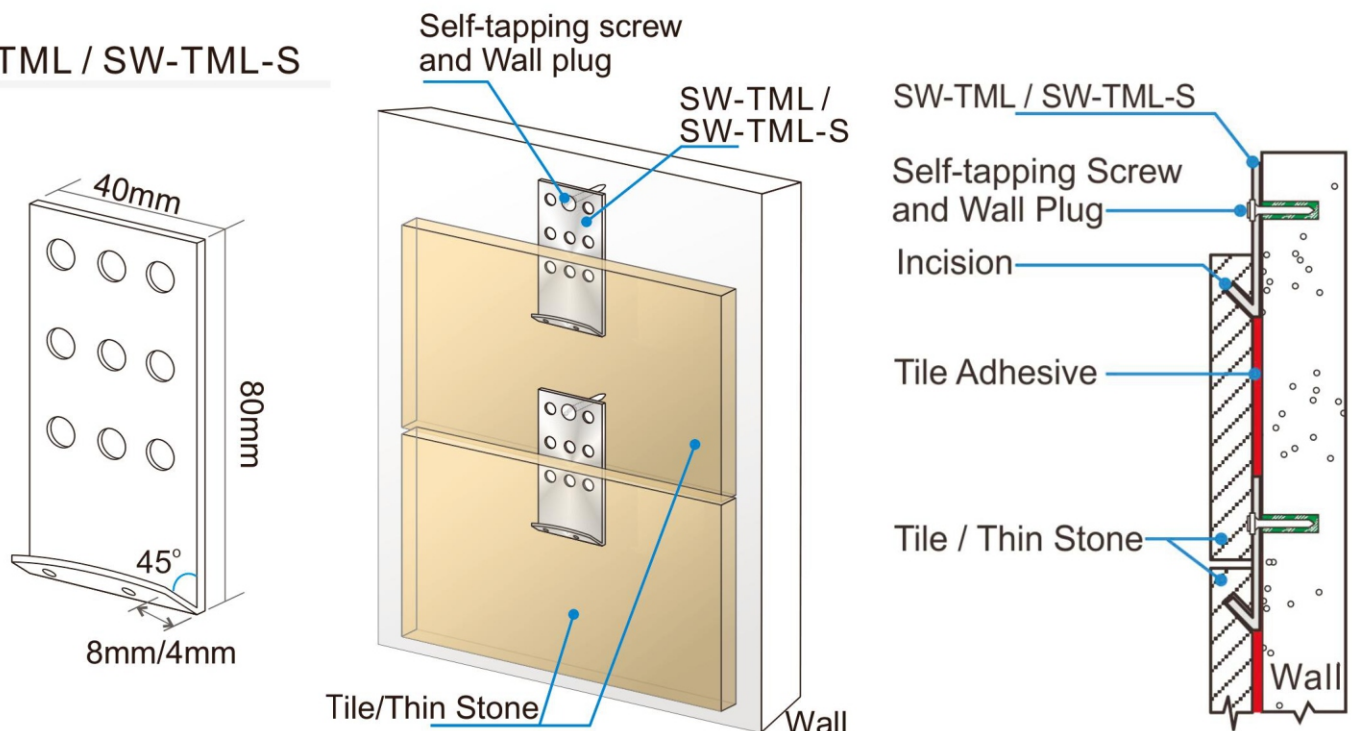
Furthermore, with excellent weather resistance, risk of shedding of tiles or stone panels could be minimized so as to safeguard the owners and pedestrians.

Features :

- Extra **41KG** bearing capacity(Lab Test Proved)
- Reduce the extreme weather impacts on the structural safety
- Reduce the risk of shedding
- Extra bearing capacity could enhance the design flexibility.

尺寸及安裝概念圖
Dimensions and Installation Concept

SW-TML / SW-TML-S



Please contact us if require tailor-made design.

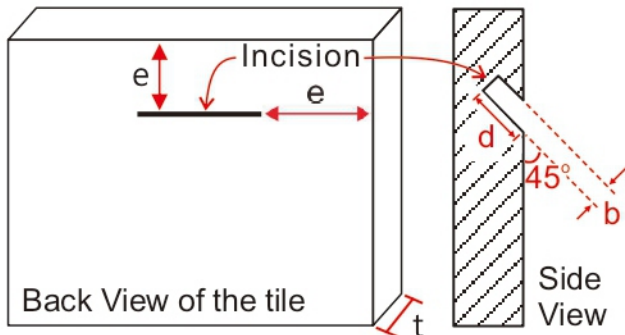
Drawing for reference only

August 2021

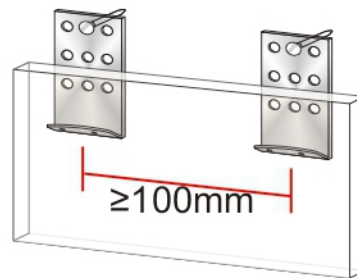
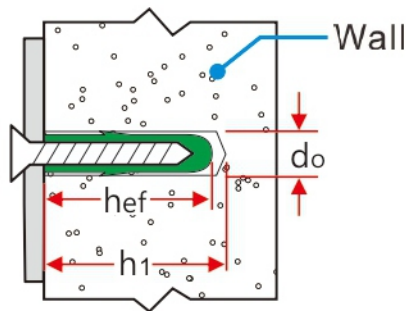


安裝建議
Installation Recommendation

Demonstration Video:



Model	SW-TML	SW-TML-S
Min. thickness of panel (t)	12mm	8mm
Min. edge distance (e)	20mm	
Min. incision depth (d)	9.5mm	6.5mm
Incision height (b)	2.3 - 2.5mm	
Drill hole diameter (do)	6mm	
Drill Hole depth (h1)	35mm	
Embedment depth (hef)	30mm	
Recommended max. bearing capacity(per piece)	41Kg	



*More than one tile mount can be attached to the same panel if require

Remarks :

1. Recommended size of diamond disc is $\varnothing 110 \times 20 \times 1.8\text{mm}$. Co-operate with SUNWAY Tile Mount Cutting Machine (SW-TMCM) is preferable to maximize the installation quality.
2. The recommended max. bearing capacity is derived from applying the safety factor of 2 to the data average failure load of lower density tile test samples in the test conducted by Independent Testing Engineering Ltd. in Hong Kong.
3. Incision is supposed to center on the width of the tile's back side. More than one tile mount can be attached to the same panel if the panel is weighty. The number of tile mount on the same panel should be decided by professionals upon the on-site circumstance, related regulations. Meanwhile, the recommended min. tile mount spacing is 100mm.
4. The installation recommendation related to the drill hole mentioned above base on the complimentary self-tapping screw and wall plug. If customers adopt other anchors or screws, they should strictly follow its manufacturer's instruction.
5. The actual performance of tile mount may have slightly difference when attach to different types, batches and grades of tiles and thin stones. The installation recommendations above are only for reference. Consultation from professionals is required before the eventual adoption.

品質保證
Quality Assurance

Sunway has about 30 years working experience specialized in the production of stainless steel stone panel bracket, anchor bolt and other accessories related to stone facade construction projects. The products have been approved by Building Department (BD), Architecture Service Department (ASD), Housing Department, and have been widely applied in different kinds of projects in Hong Kong, such as Cyberport, Hong Kong International Airport, Disney HK, and etc.

From year 2018, the management system of Sunway Metal Manufactory Ltd. in Hong Kong has been certified with ISO 9001:2015 by FUGRO Certification Service Limited. To ensure products quality, all raw materials are purchased from reputable suppliers and would undergo a sampling inspection by using distinguishing liquid and spectrum detection. If customer requires the related reports, millcerts for reference, please contact us.

August 2021



安裝方法
Installation Method

Demonstration Video:



Step 1 :

Make an incision at the back side of tile or thin stone. To ensure the incision quality, using SUNWAY Tile Mount Cutting Machine(SW-TMCM) is recommended. Details of incision please upon to the installation recommendation table in the previous page.



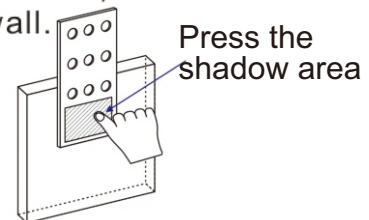
Step 2 :

Sweep the dust inside the incision and clean the oil or grease over the tile mount. Then, insert the tail of tile mount in the incision and fix the tile mount on the tile or thin stone securely.



Step 3 :

Spread the tile adhesive or any suitable adhesive over the back side of tile or thin stone attached with tile mount. Then, install the tile and thin stone on the wall.



Step 4 :

Drill a hole on the wall in correspondence of any holes of the tile mount. Then, fix the tile mount on the wall by using self-tapping screw and wall plug.

Self-tapping screw and wall plug

M4x30



6x30



Silicone Sealant

Remarks :

If the installation area is very humid or located in bathroom, contractor's installation is recommended to follow the following extra procedures.

1. After finish the hole drilling in step 4, clear the dust inside the drill hole first, then inject a layer of silicone sealant into the hole.
2. Back to the original procedure, fix the tile mount on the wall by using self-tapping screw and wall plug.
3. After tighten the screw, seal the exposed surface of the screw by spreading one more layer of silicone sealant over it.

August 2021

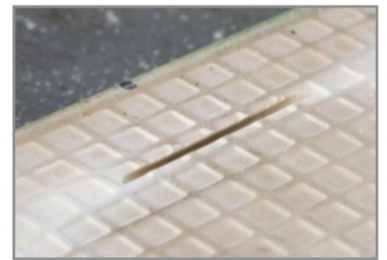


其他配件
Other Accessories

Demonstration Video:

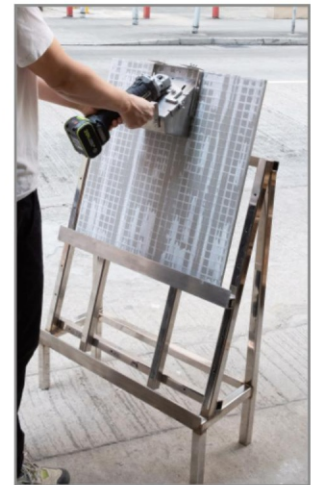
SUNWAY Tile Mount Cutting Machine(SW-TMCM) :

- Limits of several important dimensions can be set and adjusted, to standardize all the incisions on the tiles or thin stones
- The workmanship can be perfectly secured
- Machine base is fully made of metal to ensure workers safety during the process of making incision
- Enable to co-operate with cordless angle grinders, working flexibility can be enhanced



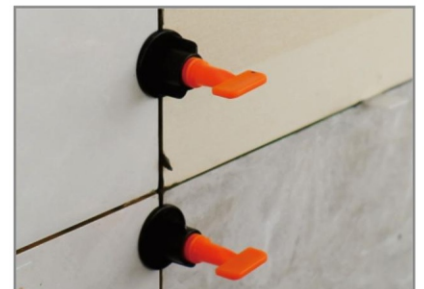
SUNWAY Tile Mount Working Shelf(SW-TMWS) :

- Co-operate with SW-TMCM Tile Mount Cutting Machine
- Different size of tiles or thin stones can be placed for the process of making incisions
- Stabilize the tiles or thin stones during the process of making incisions
- Workers are much more comfortable while working



Alignment and Positioning Tool :

- Align and level the surface of tiles and stones efficiently
- Stabilize and prevent the tiles and thin stones from movement during the installation
- Reusable



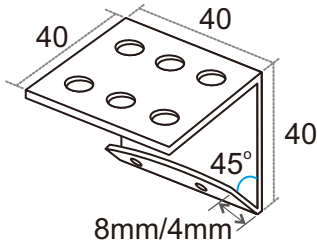
August 2021



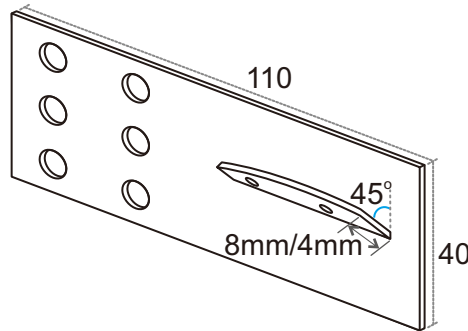
Demonstration Video:

特別設計
Special Design

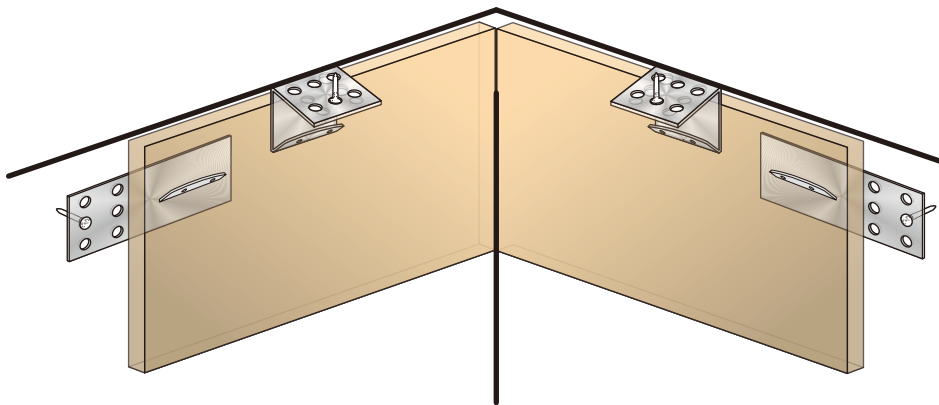
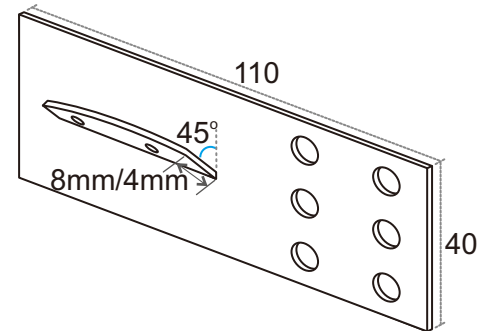
SW-TMC / SW-TMC-S



SW-TMX / SW-TMX-S



SW-TMY / SW-TMY-S



Please contact us if require tailor-make design

Remarks:

1. For SW-TMC, SW-TMX, SW-TMY, the installation recommendation are in accordance with SW-TML except the recommended maximum bearing capacity.
2. For SW-TMC-S, SW-TMX-S, SW-TMY-S, the installation recommendation are in accordance with SW-TML-S except the recommended maximum bearing capacity.
3. The edge distance of SW-TMX, SW-TMY, SW-TMX-S and SW-TMY-S are subject to the constraint of SUNWAY Tile Mount Cutting Machine(SW-TMCM) which the maximum edge distance of incision is approximately 140mm. Hence, these 4 models tile mount would be located at the top left/right corner of the tiles/thin stones in usual.

Not in scale
Drawing for reference only

August 2021