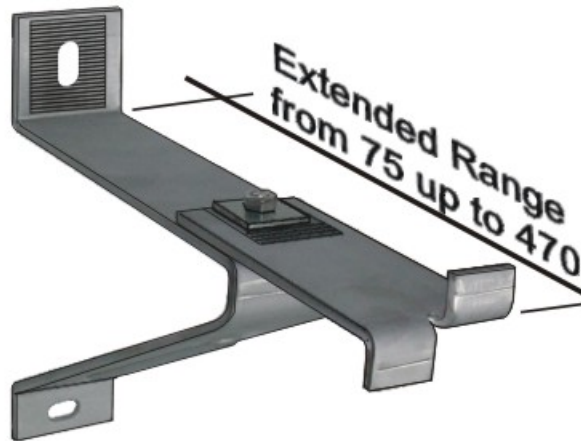


伸長結構碼(SW-EB) :  
 Extension Bracket(SW-EB) :



**With attachment, the adjustable range from 75mm to 470mm**

Advantage:

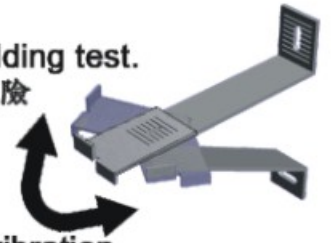
One Piece form shape, save installation and welding steel frame cost.  
 使用單一部件減低安裝及燒焊鐵架之成本

Omit the cost of welding test.  
 免除驗焊之成本及風險

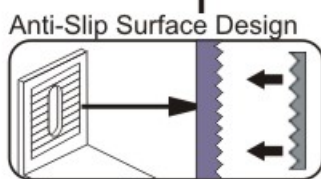
4 way adjustable.  
 可前後左右微調

Anti-Slip and Anti-vibration  
 加強防滑防震效能

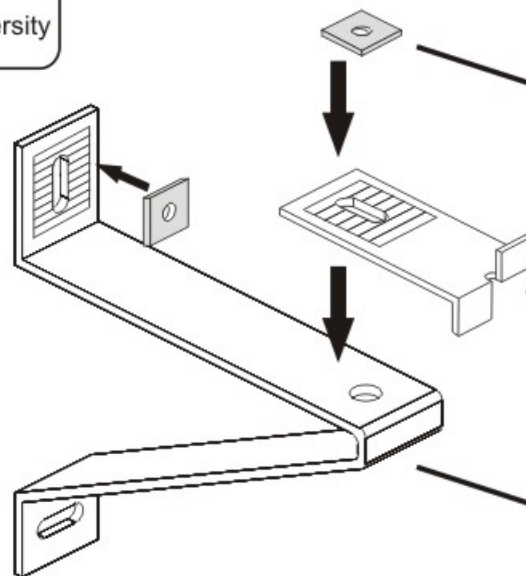
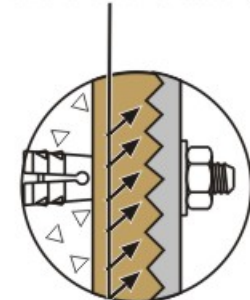
Anti-wind suction: 3 times stronger than traditional solt hole  
 其抗風壓能力比傳統橢圓孔高三倍



SW-EB - Design Details:



Share-out the loading



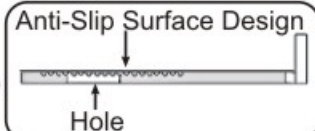
**MaterialLab**

Loading Test  
 Tested by Materialab

SW-A2-Washer

Anti-Slip Surface Design

Cross Section View



Different Attachment



\*Tailor made different size for each project.

\*Material: GMS / S.S. 304 / S.S. 316

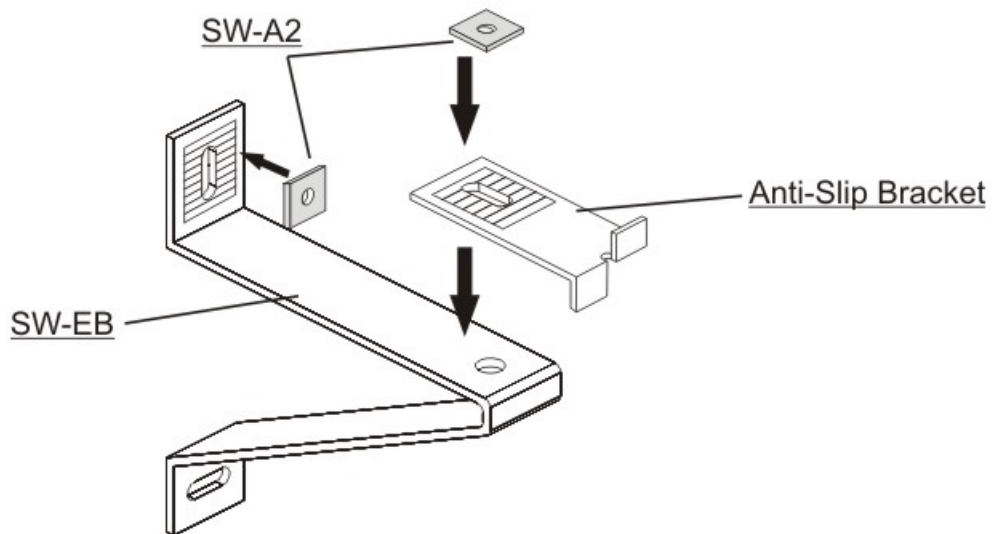
如需更多資料或有任何疑問，請與我們聯絡。

For more information, please contact us.

Tel : (852) 2873 2804 , E-mail : sung@sunwayltd.com.hk

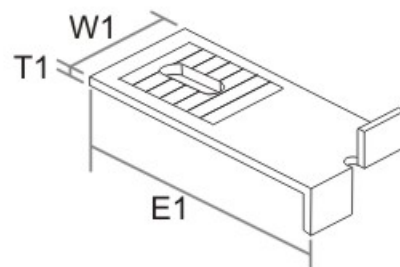
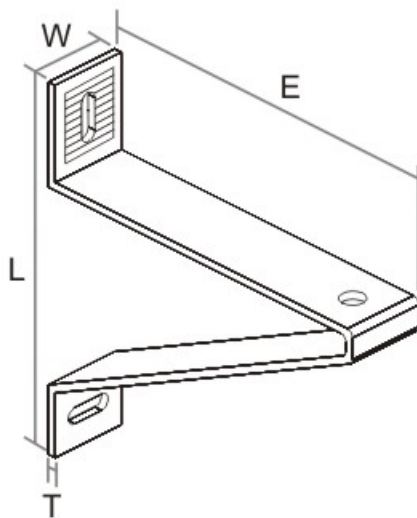
Fax: (852) 2814 0776 , Website : <http://www.sunwaymetal.com/>

伸長結構碼(SW-EB) :  
Extension Bracket(SW-EB) Assembly :



SW-EB Dimension

Anti-Slip Bracket Dimension


 尺寸規格表(mm)  
Dimension Table (mm)

Materials: GMS / S.S.304 or S.S.316

規格 System	代號 Symbol	SW-EB				SW-A3			調節範圍 Range
		W	L	E	T	W1	E1	T1	
1		40	115	50	4	40	60	4	70-82
2		50	140	80	5	50	80	5	102-118
3		60	170	130	5	60	100	5	170-190
4		70	270	300	6	70	220	5	380-420
5		70	300	320	6	70	250	6	430-470

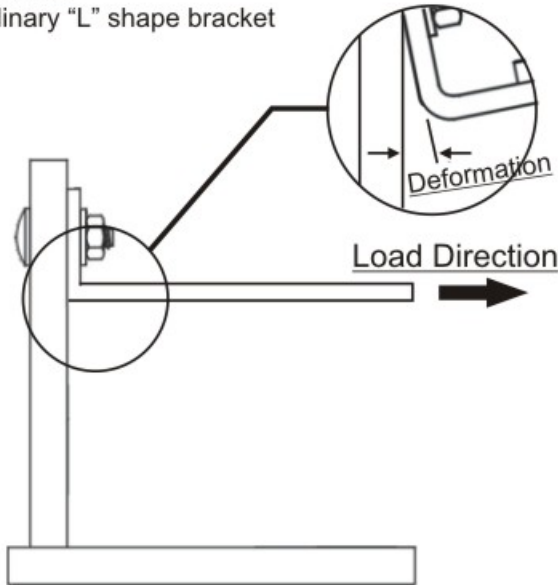
我廠可按各地盤之不同情況及需要，另行訂制不同尺寸。

Sunway considers individual needs in different situations. To meet your requirements. Please draft the bracket and give the key dimensions of your project.

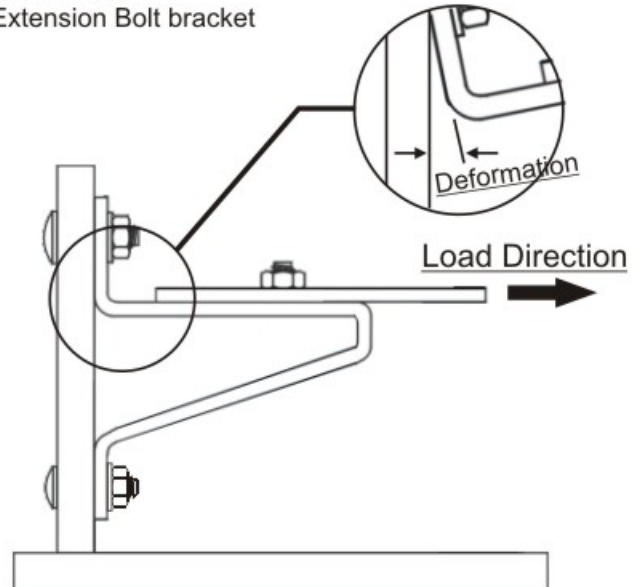
We shall finalize the design with calculations and lab test report to match your requirement.

### 碼片拉力實驗示意圖： Tensile Test Drawing - Section

普通角碼  
Ordinary "L" shape bracket



伸長結構碼  
Extension Bolt bracket



### Tensile Test Result

Bracket	Ordinary "L" Shape Bracket	Extension Bracket
Model	6thk x 70 x 440L	6thk x 70 x (300+195)
Extension Length	440mm	440mm
Deformation(mm)	5	5
Loading Force(N)	<b>8000</b>	<b>16000</b>

- 伸長結構碼的拉力比普通角碼的拉力能約高2倍。
- Extension Bracket have at least 200% more tensile capacity than ordinary "L" shape bracket.



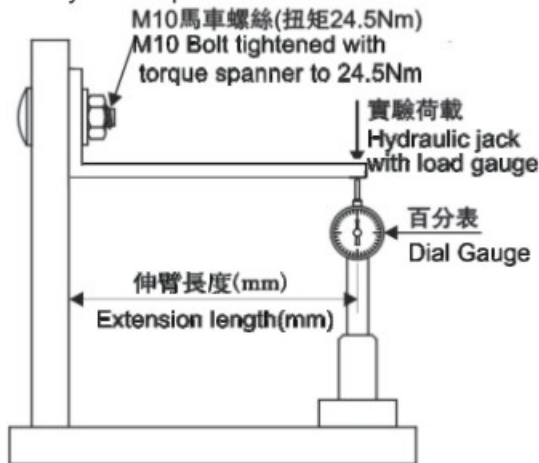
\*以上資料根據Materialab之測試數據得出。

\*The data are conclude by Materialab Test Report.

### 碼片承載力實驗示意圖： Loading Test Drawing - Section

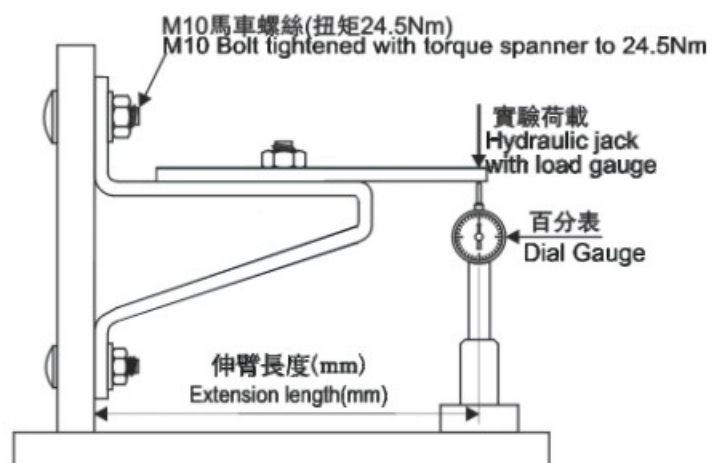
普通角碼

Ordinary "L" shape bracket



伸長結構碼

Extension Bolt bracket



### Loading Test Result

Bracket	Ordinary "L" Shape Bracket	Extension Bracket
Model	6thk x 70 x 360L	6thk x 70 x (300+195)
Extension Length	360mm	360mm
Deflection(mm)	10	8.5
Loading Force(N)	<b>75</b>	<b>1800</b>

Bracket	Ordinary "L" Shape Bracket	Extension Bracket
Model	6thk x 70 x 400L	6thk x 70 x (300+195)
Extension Length	400mm	400mm
Deflection(mm)	10	11
Loading Force(N)	<b>55</b>	<b>1000</b>

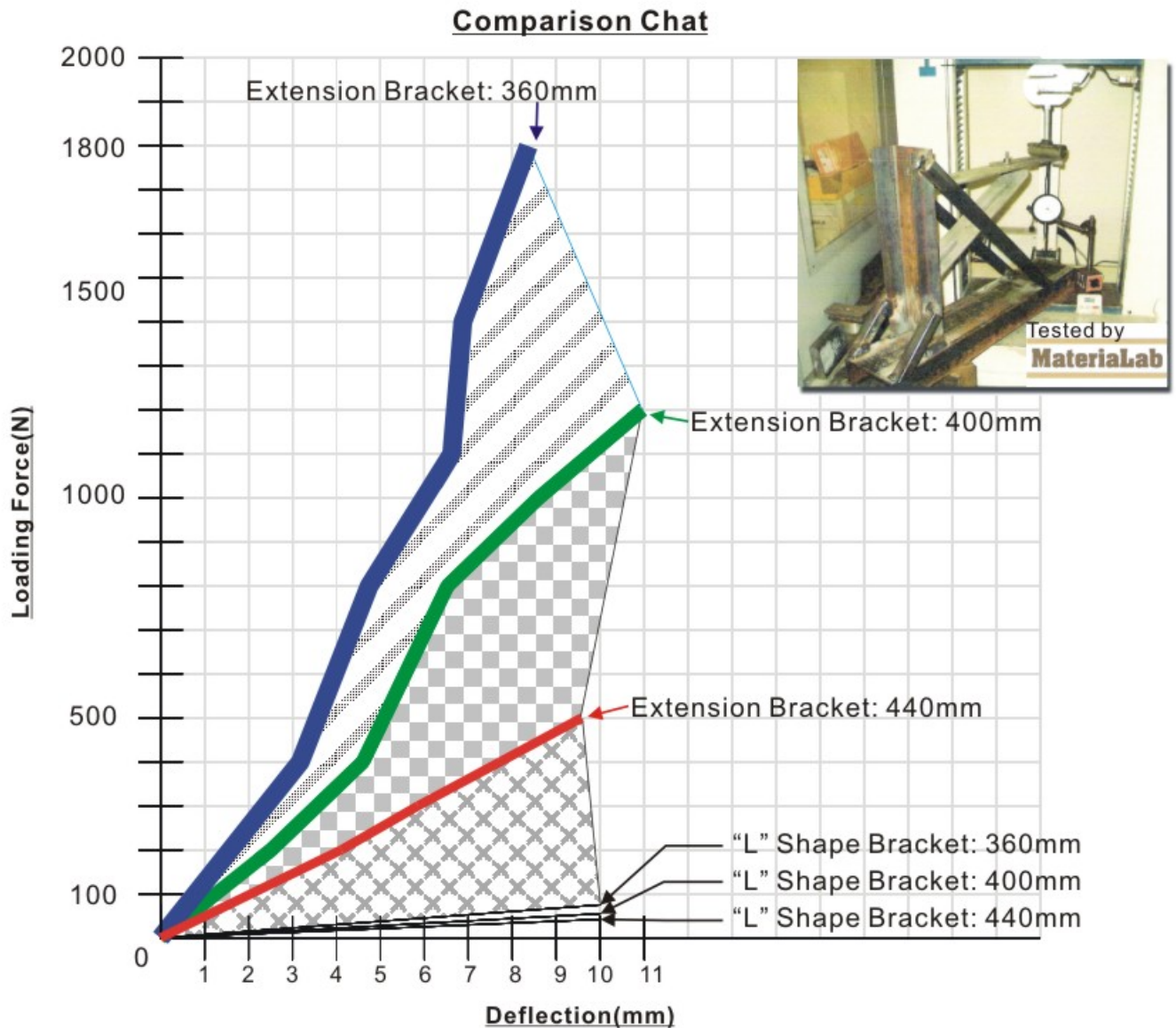
Bracket	Ordinary "L" Shape Bracket	Extension Bracket
Model	6thk x 70 x 440L	6thk x 70 x (300+195)
Extension Length	440mm	440mm
Deflection(mm)	10	9.5
Loading Force(N)	<b>42</b>	<b>500</b>

- 伸長結構碼的承載力比普通角碼的承載力能起碼高12倍。
- Extension Bracket have at least 1200% more loading capacity than ordinary "L" shape bracket.

\*以上資料根據Materialab之測試數據得出。

\*The data are conclude by Materialab Test Report.

伸長結構碼荷載力測試：  
Extension Bracket Loading Test:



總結：

伸長結構碼的承載力在伸展至360mm時，比普通角碼的承載力能高24倍以上；  
伸長結構碼的承載力在伸展至400mm時，比普通角碼的承載力能高18倍以上；  
伸長結構碼的承載力在伸展至440mm時，比普通角碼的承載力能高12倍以上。

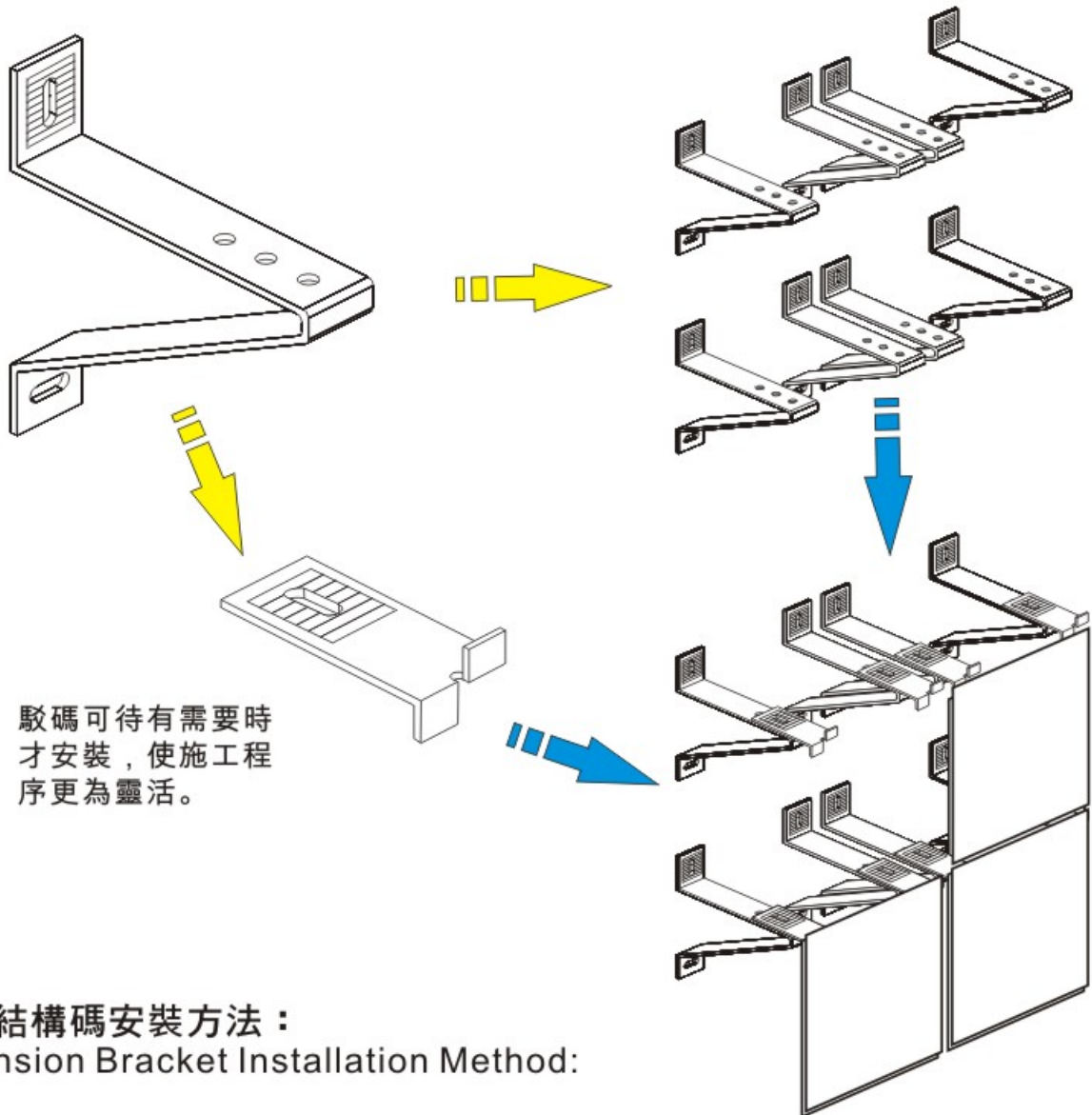
Conclusion:

Compare with Sunway Extension Bracket(SW-EB) and Ordinary "L" Shape Bracket(L-Bracket):  
For the extension length in **360mm**, SW-EB can bear **2400%** more loading capacity as the L-Bracket;  
For the extension length in **400mm**, SW-EB can bear **1800%** more loading capacity as the L-Bracket;  
For the extension length in **440mm**, SW-EB can bear **1200%** more loading capacity as the L-Bracket.

\*以上資料根據Materialab之測試數據得出。

\*The data are conclude by Materialab Test Report.

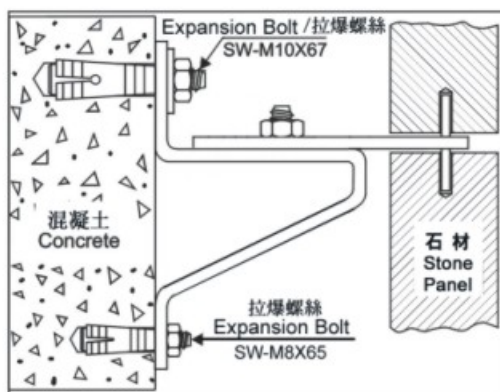
施工時，可預先安裝伸長結構碼。



### 伸長結構碼安裝方法： Extension Bracket Installation Method:

#### 一、用拉爆螺絲安裝

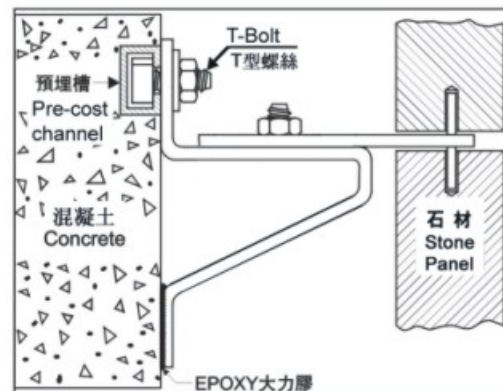
##### 1. Installation with Expansion Bolt



安裝平面圖  
Installation Section View

#### 二、用T型螺絲、預埋槽安裝

##### 2. Installation with Pre-Cost Channel and T-Bolt



安裝平面圖  
Installation Section View

**伸長結構碼(SW-EB) :**  
**Extension Bracket(SW-EB) :**

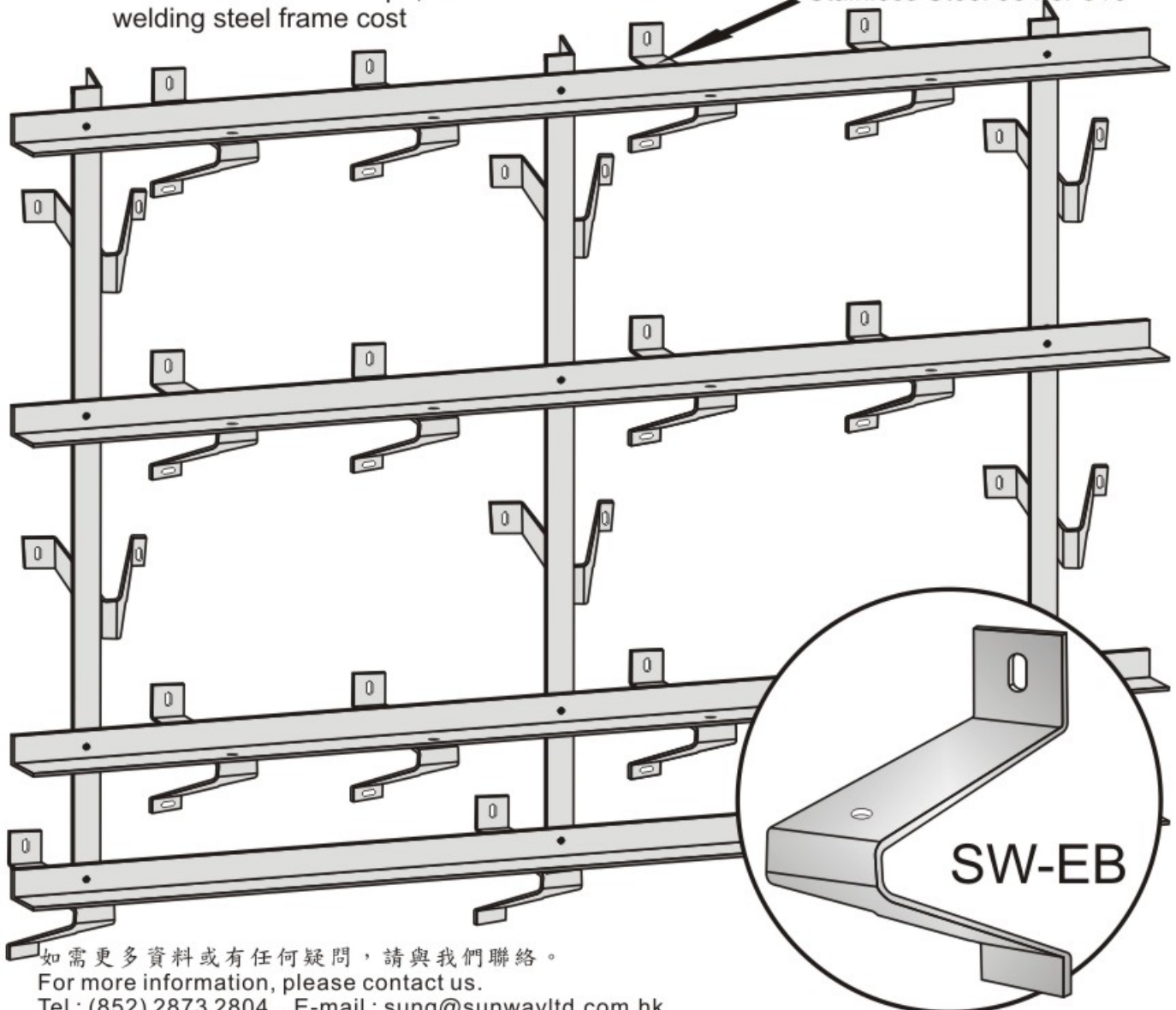
伸長結構碼能應用於多種設計上，配合不同場合之使用。

- 使用單一部件，減低安裝及燒焊鐵架之成本
- 減低驗焊之成本及風險
- 可前後左右微調
- 加強防滑防震效能

Extension Bracket can apply in many kinds of design or installation.

- Omit the cost of welding test.
- 4 way adjustable.
- Anti-Slip and Anti-Vibration
- One Piece Form Shape, save installation and welding steel frame cost

- Galvanize Mild Steel (GMS)
- Stainless Steel 304 or 316



如需更多資料或有任何疑問，請與我們聯絡。

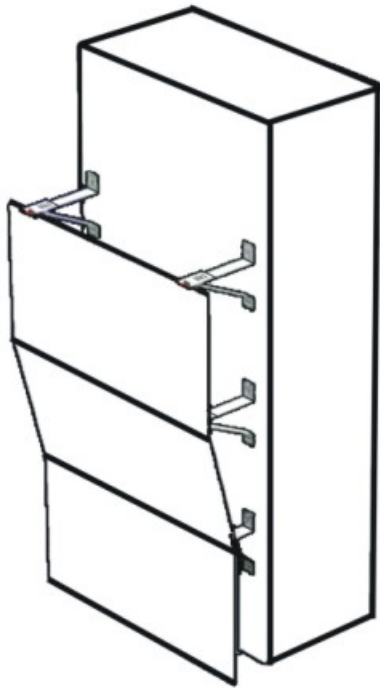
For more information, please contact us.

Tel : (852) 2873 2804 , E-mail : sung@sunwayltd.com.hk

Fax: (852) 2814 0776 , Website : <http://www.sunwaymetal.com/>

伸長結構碼能應用於多種設計上，配合不同場合之使用。

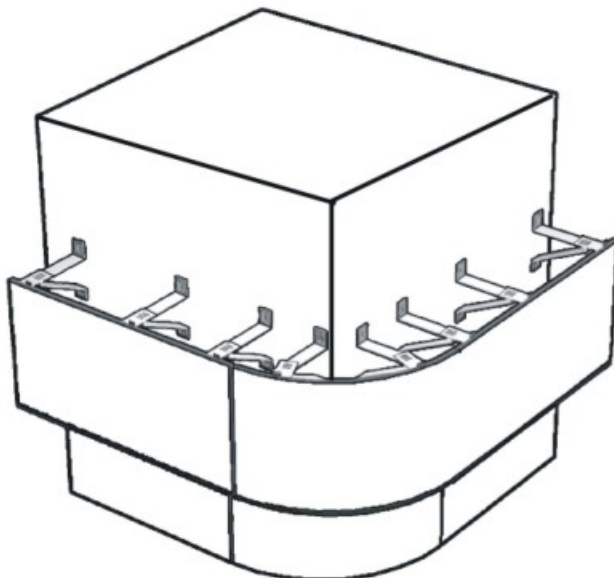
大廈外牆造斜邊或拋出或拋入效果



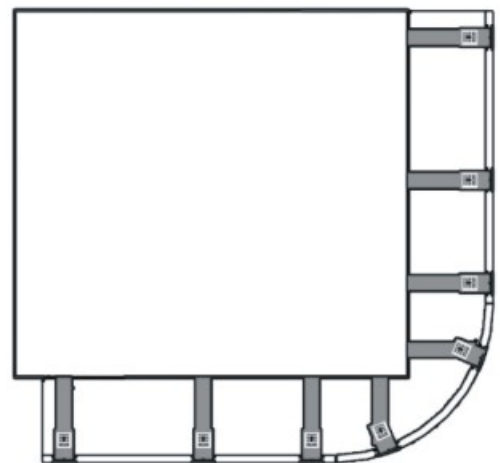
Section View



大廈外牆轉角孤位效果

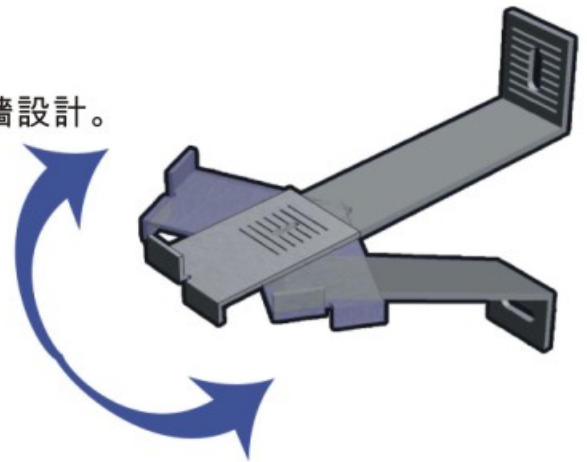


Top View

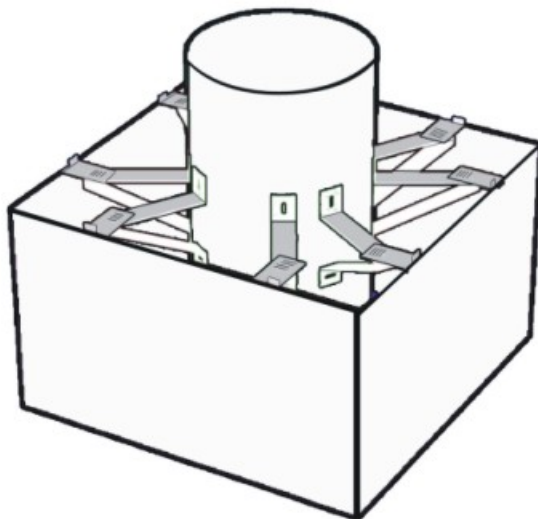




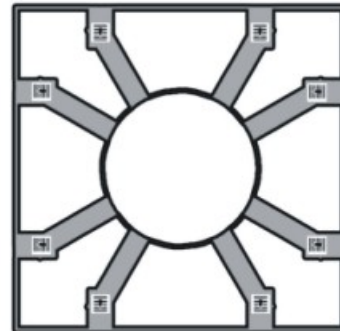
伸長結構碼可前後左右調整，配合不同之外牆設計。



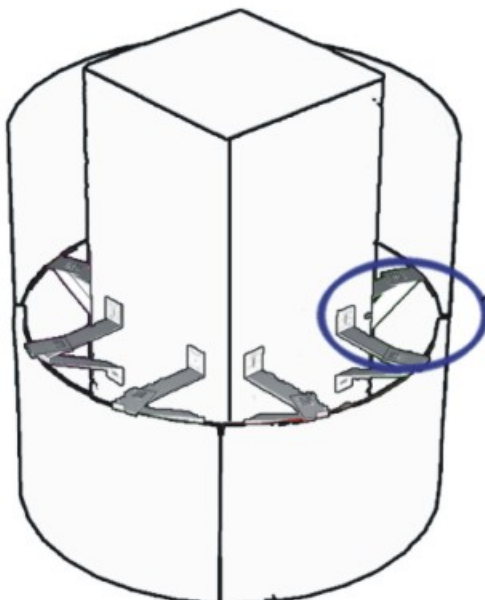
由圓柱轉變為方柱效果



Top View



由方柱轉變為圓柱效果



Top View

