

FUGRO TECHNICAL SERVICES LIMITED

MaterialLab Division,
Fugro Development Centre,
5 Lok Yi Street, 17 M.S. Castle Peak Road,
Tai Lam, Tuen Mun, N.T., Hong Kong.

Tel : +852-2450 8233
Fax : +852-2450 6138
E-mail : matlab@fugro.com.hk
Website : www.fugro.com

MaterialLab

Client Ref. : --
Report No. : 051301ST50609

Page 1 of 3

REPORT ON PULL-OFF TEST OF S.S. TACTILE**Information Supplied by Client**

Client : Sunway Metal Manufactory Limited
Project : Testing of S.S. Tactile
Sample Description : S.S. Tactile



Laboratory Information

Lab. Sample I.D. : ST50609/1-3
Date Received : 18 May 2005
Date Tested : 20 May 2005
Loading Rate : 2 mm/min
Test Method : In accordance with our in-house method ref. : STMS-2012

Test Results

Lab. Sample I.D.	Maximum Applied Force (N)	Failure Mode
ST50609/1	290	100% Failure of double-sided tape & marble floor tile interface
ST50609/2	273	100% Failure of double-sided tape & marble floor tile interface
ST50609/3	202	100% Failure of double-sided tape & marble floor tile interface

- Remarks : 1.) The test results relate only to the sample tested
2.) The sample details are shown on page 2 of this report.
3.) The test configuration and failure modes are shown in the photograph on page 3 of this report.

Checked By :  Date : 25-5-2005 Certified By :  Date : 26/5/05
Gary Winstanley

The copyright of this document is owned by Fugro Technical Services Limited. It may not be reproduced except with prior written approval from the Company.

FUGRO TECHNICAL SERVICES LIMITED

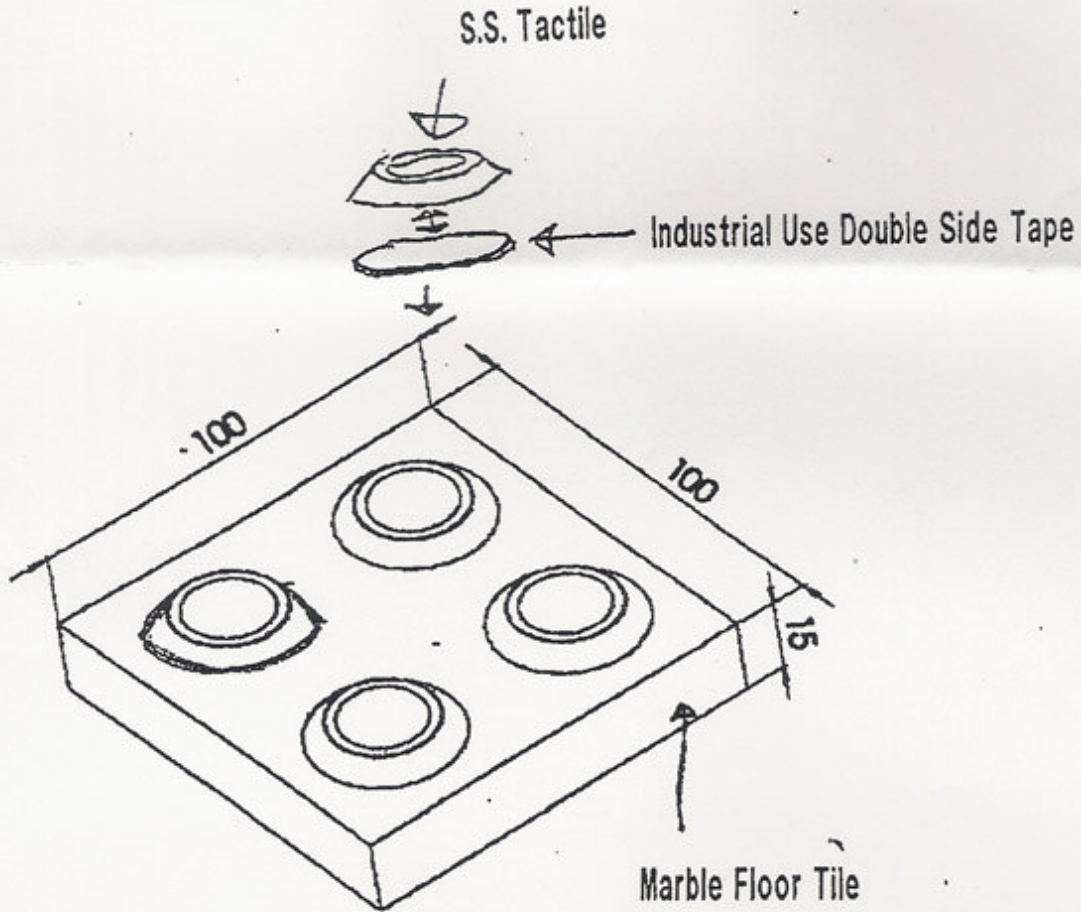
MaterialLab Division,
Fugro Development Centre,
5 Lok Yi Street, 17 M.S. Castle Peak Road,
Tai Lam, Tuen Mun, N.T., Hong Kong.

Tel : +852-2450 8233
Fax : +852-2450 6138
E-mail : matlab@fugro.com.hk
Website : www.fugro.com

MaterialLab

Client Ref. : --
Report No. : 051301ST50609

Page 2 of 3



FUGRO TECHNICAL SERVICES LIMITED

MateriaLab Division,
Fugro Development Centre,
5 Lok Yi Street, 17 M.S. Castle Peak Road,
Tai Lam, Tuen Mun, N.T., Hong Kong.

Tel : +852-2450 8233
Fax : +852-2450 6138
E-mail : matlab@fugro.com.hk
Website : www.fugro.com

MateriaLab

Client Ref. : --
Report No. : 051301ST50609

Page 3 of 3



Test Configuration
Sample I.D. : ST50609/1-3



Failure Mode
Sample I.D. : ST50609/1-3