

**FUGRO TECHNICAL SERVICES LIMITED**

MateriaLab Division,  
Fugro Development Centre,  
5 Lok Yi Street, 17 M.S. Castle Peak Road,  
Tai Lam, Tuen Mun, N.T., Hong Kong.

Tel : +852-2450 8233  
Fax : +852-2450 6138  
E-mail : matlab@fugro.com.hk  
Website : www.fugro.com

**MateriaLab**

Client Ref. : --  
Report No. : 051301ST50609(1)

Page 1 of 3

**REPORT ON TWIST TEST OF S.S. TACTILE****Information Supplied by Client**

Client : Sunway Metal Manufactory Limited  
Project : Testing of S.S. Tactile  
Sample Description : S.S. Tactile



**Laboratory Information**

Lab. Sample I.D. : ST50609/4-6  
Date Received : 18 May 2005  
Date Tested : 20 May 2005  
Test Method : In accordance with our in-house method ref. : STMS-2013

**Test Results**

Lab. Sample I.D.	Maximum Applied Torque (Nm)	Failure Mode
ST50609/4	4	Failure of double-sided tape
ST50609/5	5	Failure of double-sided tape
ST50609/6	6	Failure of double-sided tape

Remarks : 1.) The test results relate only to the sample tested  
2.) The sample details are shown on page 2 of this report.  
3.) The test configuration and failure modes are shown in the photograph on page 3 of this report.

Checked By :  Date : 26-5-2005 Certified By :   
Gary Winstanley Date : 26/5/05

The copyright of this document is owned by Fugro Technical Services Limited. It may not be reproduced except with prior written approval from the Company.

# FUGRO TECHNICAL SERVICES LIMITED

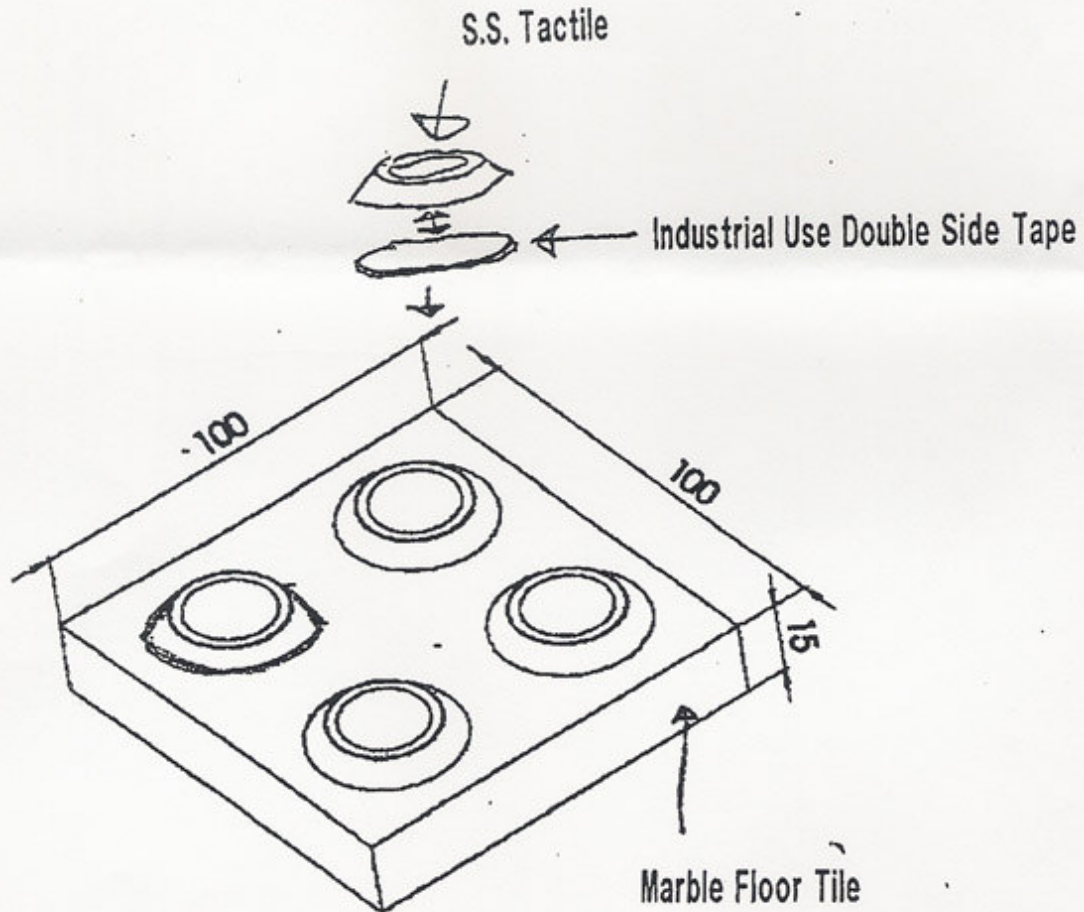
MaterialLab Division,  
Fugro Development Centre,  
5 Lok Yi Street, 17 M.S. Castle Peak Road,  
Tai Lam, Tuen Mun, N.T., Hong Kong.

Tel : +852-2450 8233  
Fax : +852-2450 6138  
E-mail : matlab@fugro.com.hk  
Website : www.fugro.com

## MaterialLab

Client Ref. : --  
Report No. : 051301ST50609(1)

Page 2 of 3





## FUGRO TECHNICAL SERVICES LIMITED

MateriaLab Division,  
Fugro Development Centre,  
5 Lok Yi Street, 17 M.S. Castle Peak Road,  
Tai Lam, Tuen Mun, N.T., Hong Kong.

Tel : +852-2450 8233  
Fax : +852-2450 6138  
E-mail : matlab@fugro.com.hk  
Website : www.fugro.com

# MateriaLab

Page 3 of 3

Client Ref. : --  
Report No. : 051301ST50609(1)



Test Configuration  
Sample I.D. : ST50609/4-6



Failure Mode  
Sample I.D. : ST50609/4-6

The copyright of this document is owned by Fugro Technical Services Limited. It may not be reproduced except with prior written approval from the Company.