

基本資訊 Basic Information

SUNWAY Facade Alignment Fixture 平石調較碼 (SW-AF)

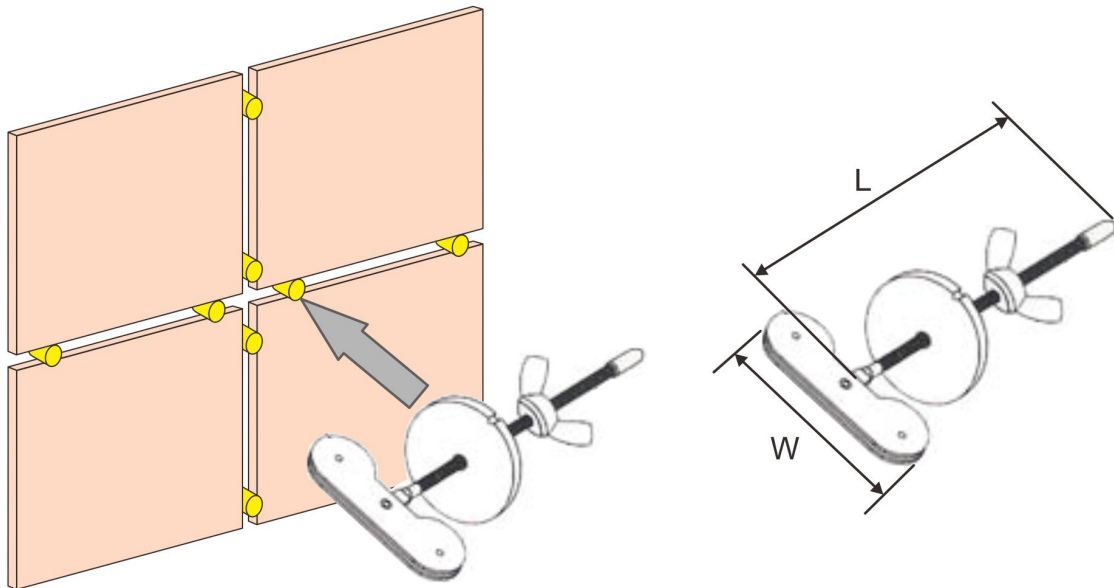


SUNWAY SW-AF Facade Alignment Fixture is a reusable small equipment to level the outer surface of two stone panels with different thickness, with a view to increasing the quality of workmanship.

Advantages:

- Effectively increase the quality of workmanship
- Reusable

尺寸 Dimensions

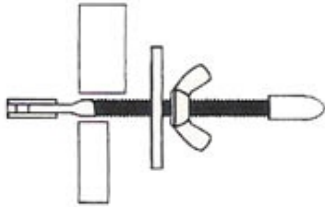


Model	Length(L)	Width of tail(W)	Min. panel's gap	Recommended panel's thickness
SW-AF	100	50	5mm	20-60mm
SW-AF-S	75	40	3mm	10-40mm

Drawing for reference only

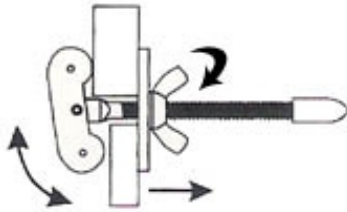
August 2021

1



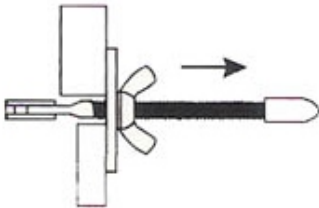
Insert Facade Alignment Fixture between two panels;

2



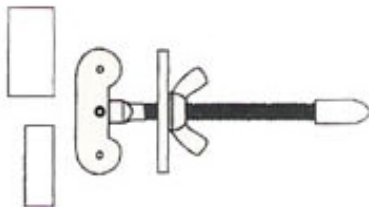
Tighten the screw;

3



Adjust the tail to make sure the outer surfaces of two panels in the same level,
then tighten the screw until panels not to be moved;

4



Remove the Facade Alignment Fixture after fixing.